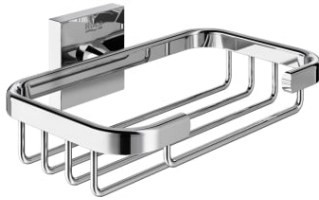


CUBICA**Grated container**

DIMENSIONS

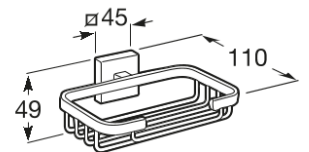
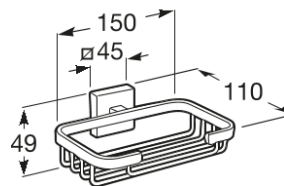
Length	110 mm
Width	49 mm
Height	150 mm

COLOURS AND FINISHES



01 Polished

TECHNICAL DRAWINGS

**FEATURES**

Finish: Chrome

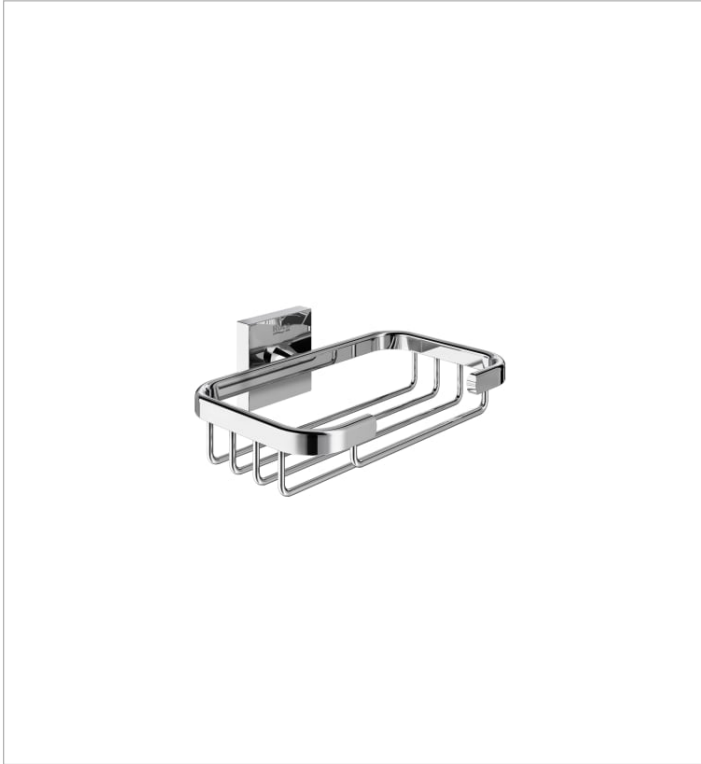
Fixing kit: Included

Installation options: Only with screws

Installation type: Wall-mounted

Material: Metal

Maximum weight supported (Kg): 5



Cubica

Metal and glass are the stars of a collection of accessories that plays with basic geometries. Cubica is based on the essential shapes to provide practical and functional designs.

